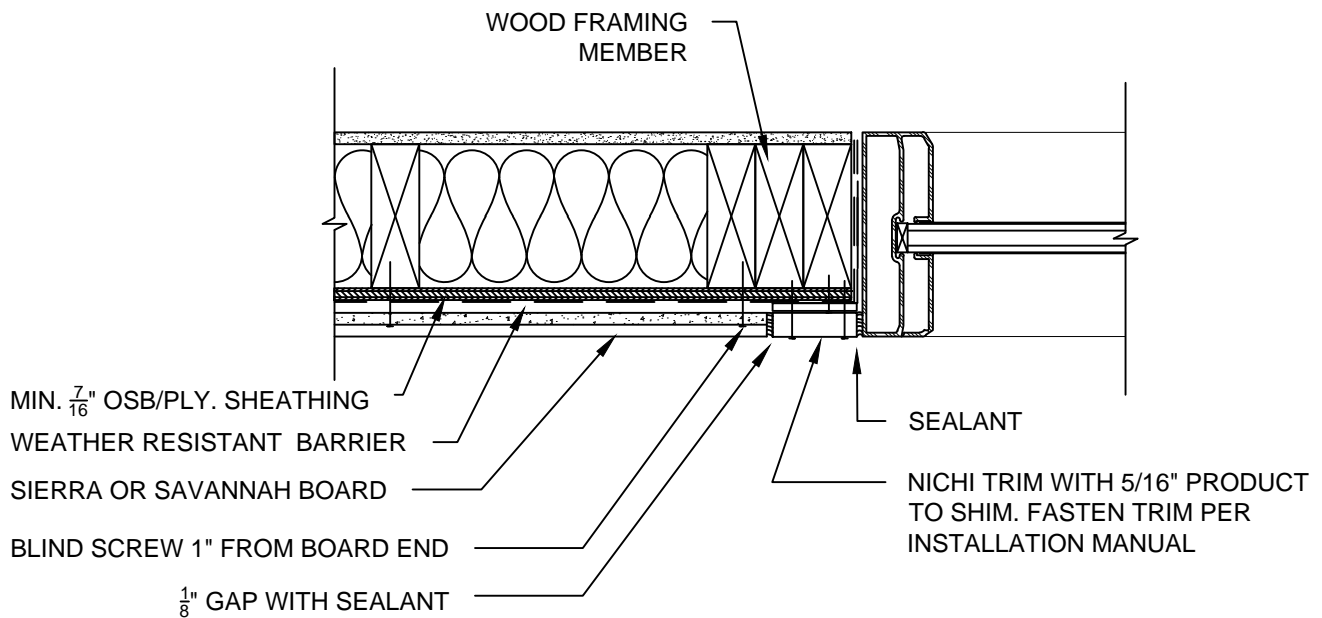


NOTES:

1. THIS CONCEPTUAL DETAIL IS A GUIDE FOR INSTALLATION OF NICHIIHA PRODUCTS. ARCHITECTS/ENGINEERS/CONTRACTORS ARE RESPONSIBLE FOR SUCCESSFUL APPLICATION WHICH DEPENDS UPON SUBSTRATE DESIGN AND CONSTRUCTION BUILT IN ACCORDANCE WITH BEST PRACTICES AND LOCAL BUILDING CODES.
2. SHEATHING REPRESENTED HERE IS 1/2" PLYWOOD OR 7/16" OSB (IF USING OTHER THICKNESSES ADJUST ACCORDINGLY).
3. BLIND FASTENERS MUST BE MIN. 1" FROM END OF BOARD FOR BUTT JOINTS AND CORNERS AND 1" FROM TOP EDGE.
4. #8 SCREWS - BUGLE HEAD, FULLY THREADED- REQUIRED AT BOARD ENDS.
5. CUT ENDS OF BOARD MUST BE SEALED WITH PRIMER OR PAINT.



WOOD STANDARD SIERRA SHAKE/SAVANNAH SMOOTH  
WINDOW JAMB WITH NICHII TRIM DETAIL

SCALE: 1 1/2" = 1'-0"