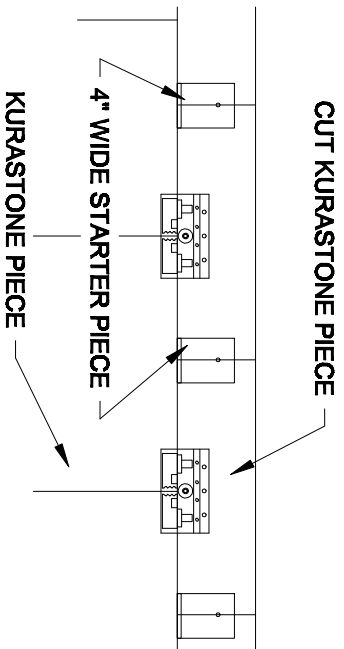
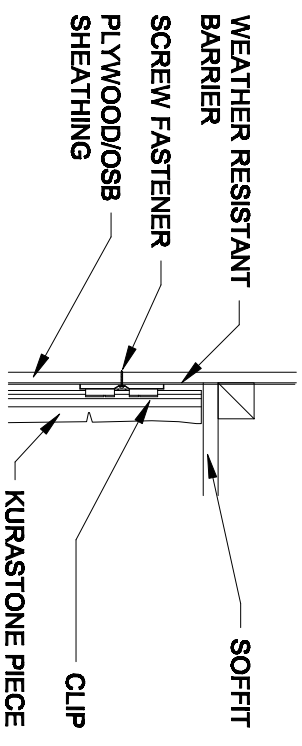


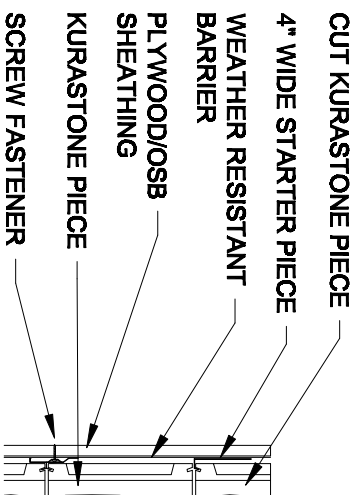
**KURASTONE WALL TOP END  
AXON - NTS**



**KURASTONE WALL TOP END  
OPTION 2**



**KURASTONE WALL TOP END  
SECTION - OPTION 1**



**FACE FASTENER DETAIL**

