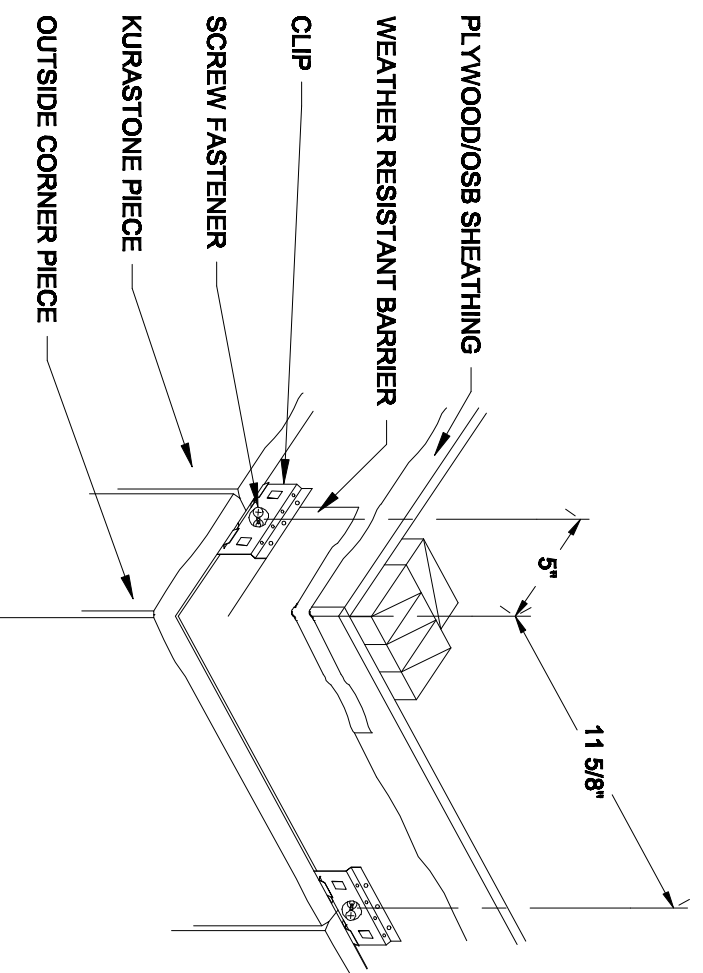


**KURASTONE OUTSIDE CORNER SECTION**



**KURASTONE OUTSIDE CORNER AXON - NTS**