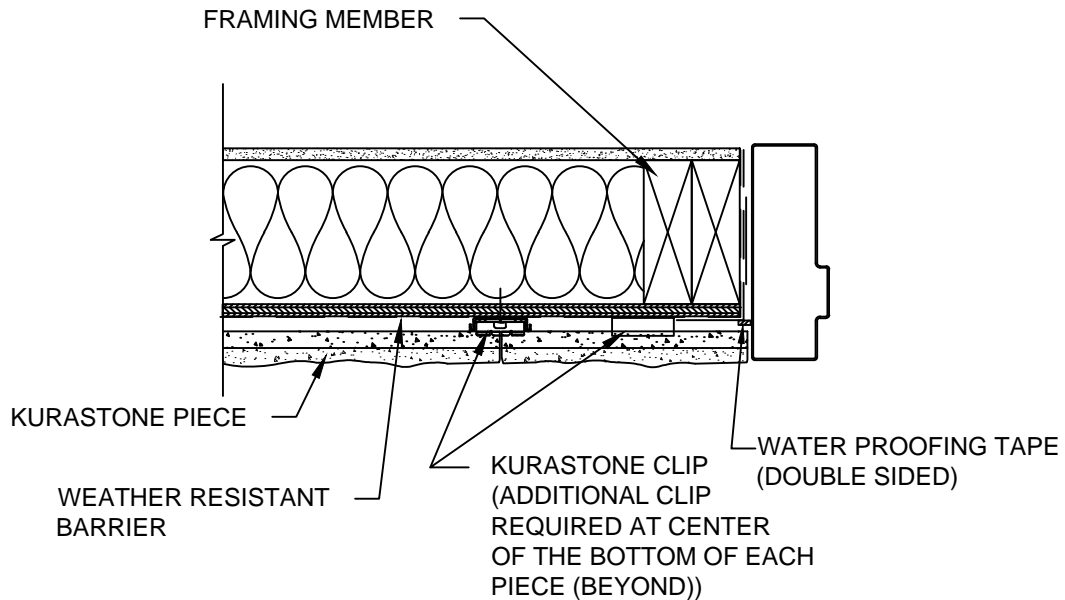


NOTES:

1. THIS CONCEPTUAL DETAIL IS A GUIDE FOR INSTALLATION OF NICHIIA PRODUCTS. ARCHITECTS/ENGINEERS/CONTRACTORS ARE RESPONSIBLE FOR SUCCESSFUL APPLICATION WHICH DEPENDS UPON SUBSTRATE DESIGN AND CONSTRUCTION BUILT IN ACCORDANCE WITH BEST PRACTICES AND LOCAL BUILDING CODES.
2. STRUCTURAL SHEATHING REQUIRED FOR KURASTONE INSTALLATION - REPRESENTED HERE IS 1/2" PLYWOOD OR 7/16" OSB IF USING OTHER THICKNESSES ADJUST ACCORDINGLY.
3. BUTT KURASTONE PIECE TO JAMB IN MODERATE CONTACT. APPLY DOUBLE SIDED BUTYL TAPE AROUND OPENINGS OR TRIM PRIOR TO INSTALLING WRB.



10 mm - WOOD STANDARD KURASTONE
DOOR JAMB DETAIL

SCALE: 3" = 1'-0"