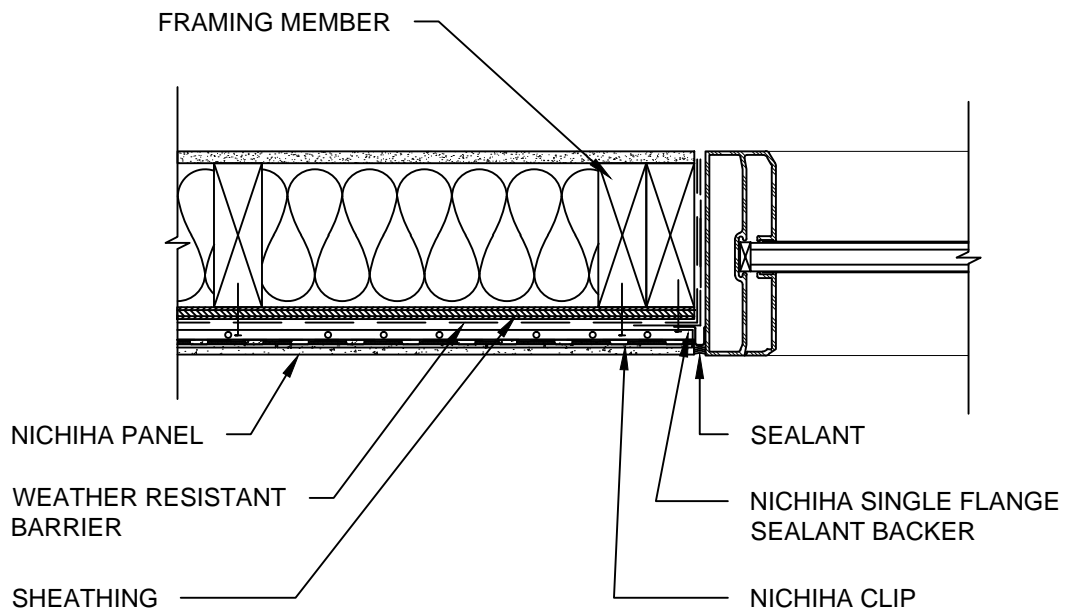


NOTES:

1. THIS CONCEPTUAL DETAIL IS A GUIDE FOR INSTALLATION OF NICHIIHA PRODUCTS. ARCHITECTS/ENGINEERS/CONTRACTORS ARE RESPONSIBLE FOR SUCCESSFUL APPLICATION WHICH DEPENDS UPON SUBSTRATE DESIGN AND CONSTRUCTION BUILT IN ACCORDANCE WITH BEST PRACTICES AND LOCAL BUILDING CODES.
2. NICHIIHA PANEL REPRESENTED HERE IS 5/8" NICHIIHA PRODUCT, ADJUST ACCORDINGLY FOR OTHER NICHIIHA PRODUCT THICKNESSES.
3. SHEATHING REPRESENTED HERE IS 1/2" PLYWOOD OR 7/16" OSB. IF USING OTHER THICKNESSES ADJUST ACCORDINGLY.



10 mm WOOD STANDARD 6' & 10' HORIZONTAL PANEL
WINDOW JAMB DETAIL

SCALE: 1/2" = 1'-0"