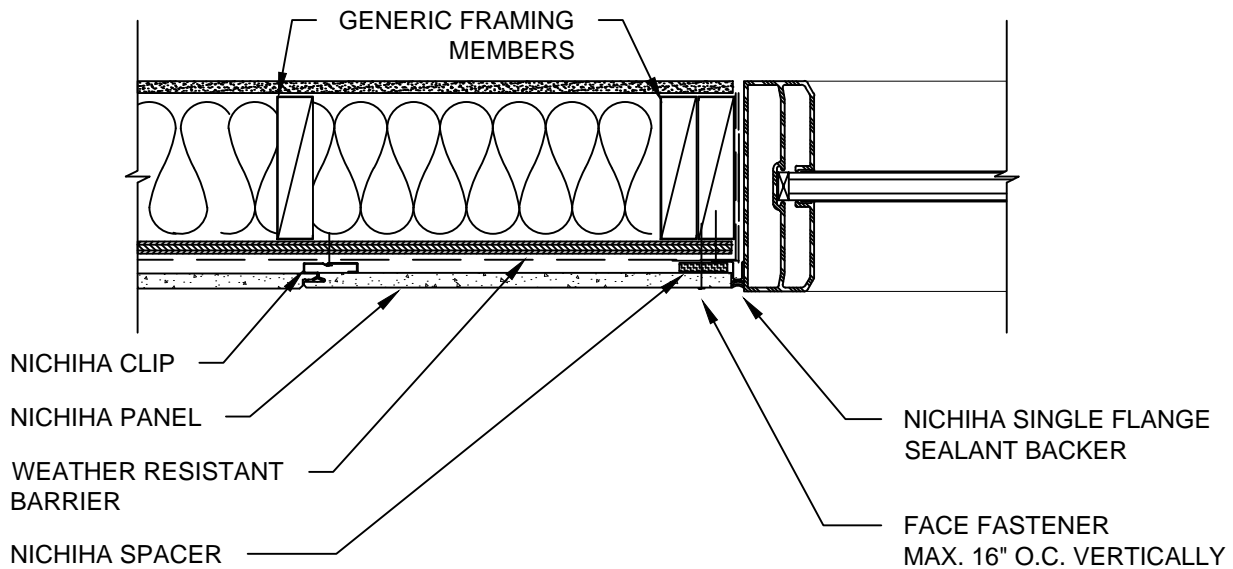


NOTES:

1. THIS CONCEPTUAL DETAIL IS A GUIDE FOR INSTALLATION OF NICHIIHA PRODUCTS. ARCHITECTS/ENGINEERS/CONTRACTORS ARE RESPONSIBLE FOR SUCCESSFUL APPLICATION WHICH DEPENDS UPON SUBSTRATE DESIGN AND CONSTRUCTION BUILT IN ACCORDANCE WITH BEST PRACTICES AND LOCAL BUILDING CODES.
2. FOR THIS APPLICATION ONLY USE NICHIIHA 10', 5/8" PANEL SET VERTICALLY.
3. SHEATHING: 7/16" OR THICKER APA RATED OSB OR PLYWOOD REQUIRED WITH STUD SPACING OTHER THAN 45.5 CM (17-7/8") O.C.
4. METAL FRAMING MEMBERS MUST BE A MINIMUM OF 18 GA.



10MM - STANDARD 10' VERTICAL PANEL  
WINDOW JAMB DETAIL

SCALE: 1 1/2" = 1'-0"