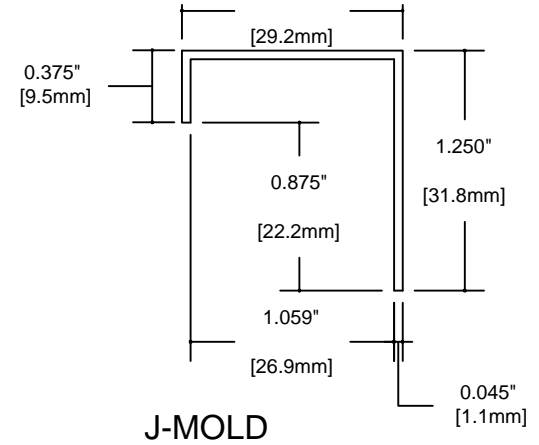
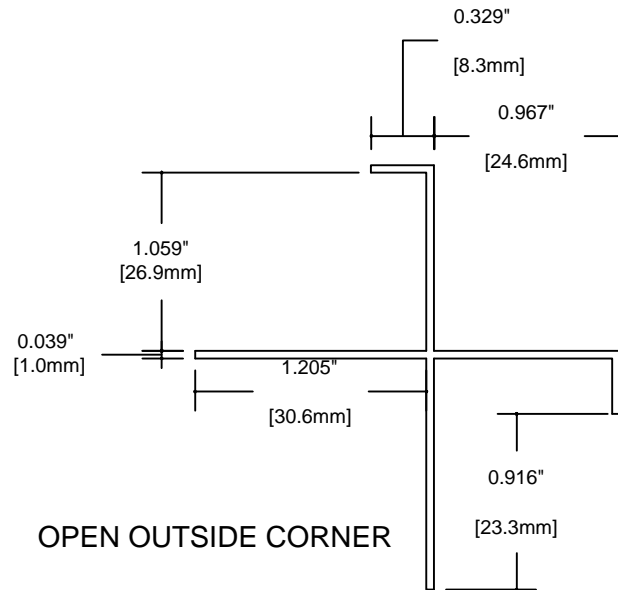


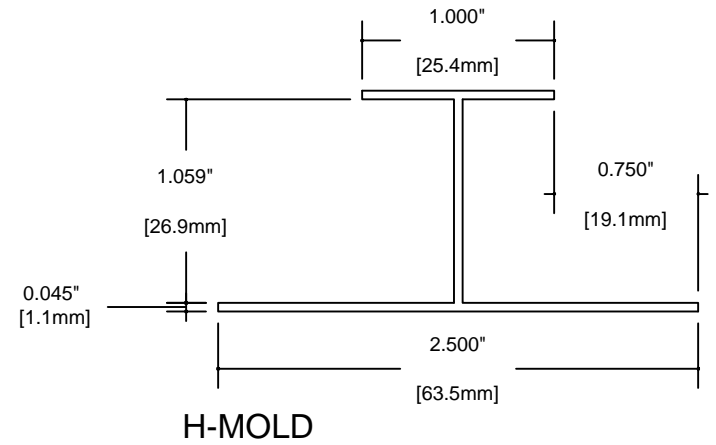
CORNER KEY



J-MOLD



OPEN OUTSIDE CORNER



H-MOLD