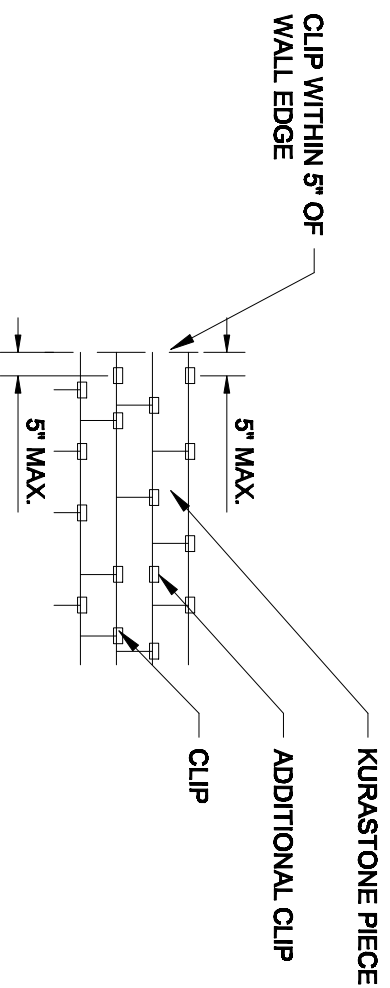
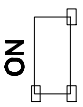


**KURASTONE HORIZONTAL JOINT - SECTION**



**CLIP LOCATION  
DIAGRAM: NTS**



**ADDITIONAL CLIP REQUIRED  
AT BOTTOM CENTER OF PANEL**

